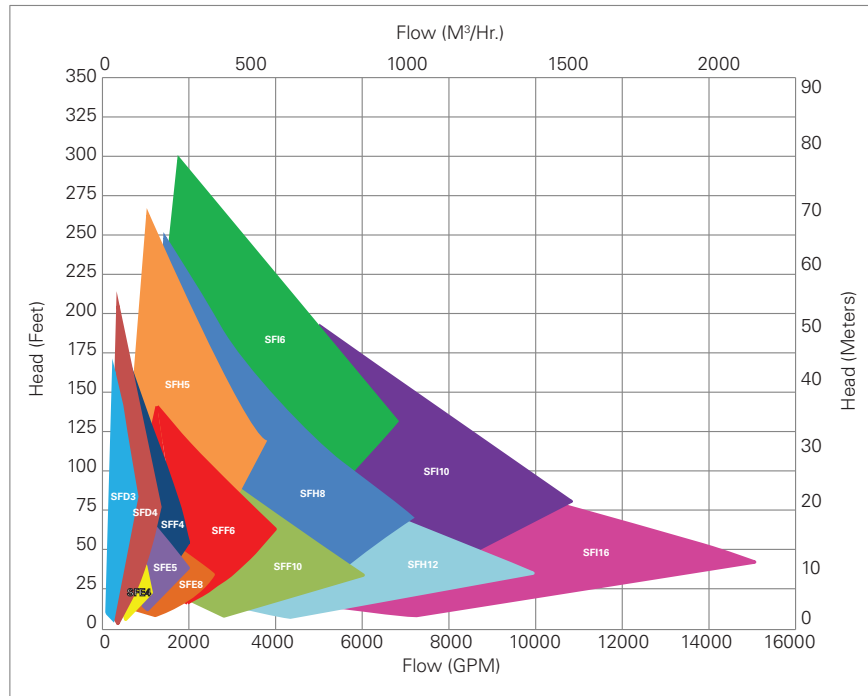




WEMCO® Screw-Flow Pump

Trillium Flow Technologies is dedicated to providing the most advanced pumping technologies, always striving to increase product performance, reduce cost and improve lead time.

The WEMCO® Screw-Flow pump is equipped with a proven single-vane screw-centrifugal impeller. The screw-centrifugal design provides clog-resistant pumping for trouble free movement of solids, and fibrous and stringy materials. The steep head-capacity curve produced by the impeller provides additional head to help push through any partial blockages.



Features:

- High efficiency
- Low NPSH requirements
- Steep head/capacity curve
- Flushless tandem mechanical seals
- Adjustable liners
- Large solids passage
- Solids Passage: 2.5 - 7.25 inches
- High-Chrome Iron impeller and liner ASTM A532 Class III Type A



Applications:

- Sludges
- Raw and unscreened sewage
- Paper stock and wood chips
- Wet well cleanup
- Crystalline compounds
- Bacterial floc
- Easily damaged fruits and vegetables
- Coal

Low NPSH:

The screw portion of the WEMCO Screw-Flow impeller performs as an inducer, pulling liquid into the impeller, resulting in low NPSH requirements.

Solids Handling:

The single-vane impeller of the WEMCO Screw-Flow pump creates a single-channel flow, allowing for larger solids passage. The large solids passage provides better solids handling capabilities than any other pump type. The steep head-capacity curve provides ample reserve pressure to clear temporary clogs.

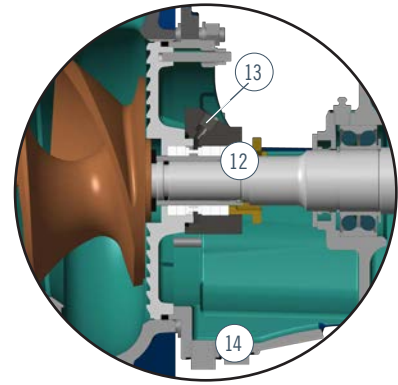
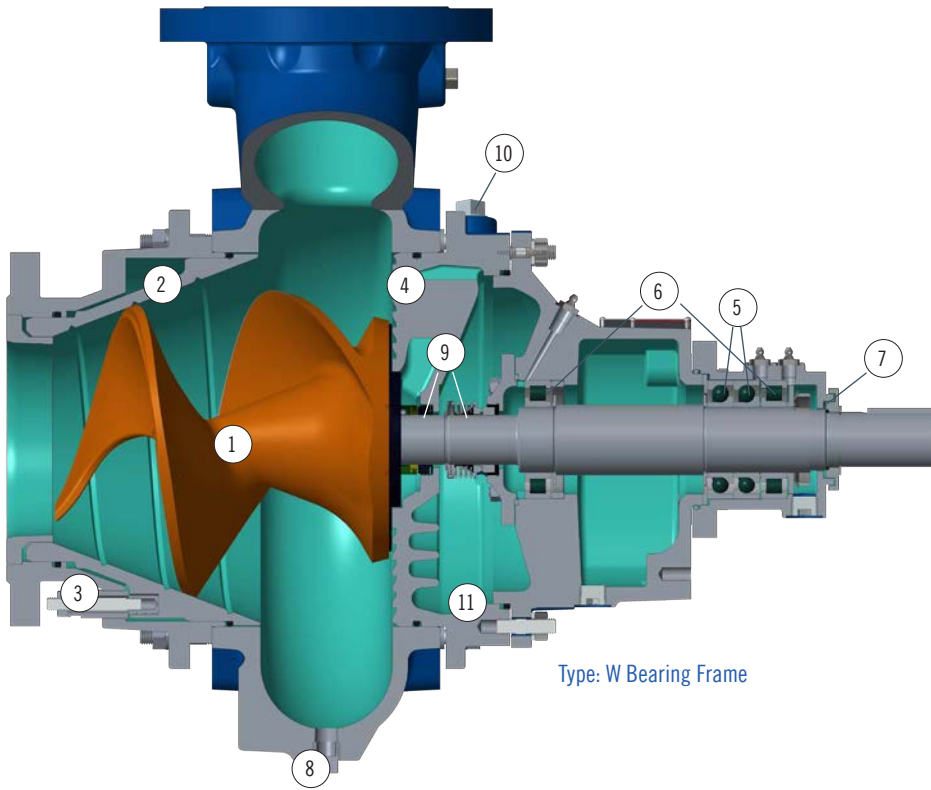
Sludge Handling | Positive Suction:

The combination of a low NPSH requirement and large solids channels provides a powerful pump for handling thick sludges. The steep head-capacity curve of the WEMCO Screw-Flow pump also allows for pumping of varying sludge consistencies without the need to change speed. An additional benefit is the reserved head for clearing temporary line blockages.

Adjustable Liner

Consistent impeller-to-liner clearance is imperative to the performance of the pump. As the pump components wear, clearance between the impeller and liner can be adjusted to ensure optimal performance.

WEMCO Screw-Flow Pump | Bearing Frames



Type: S/SM Bearing Frame

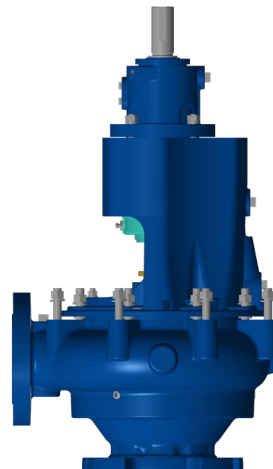
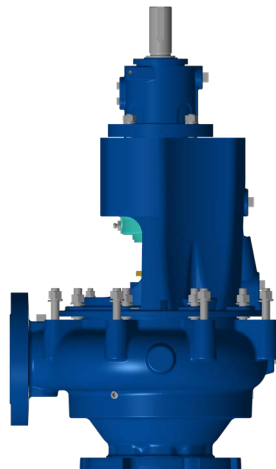
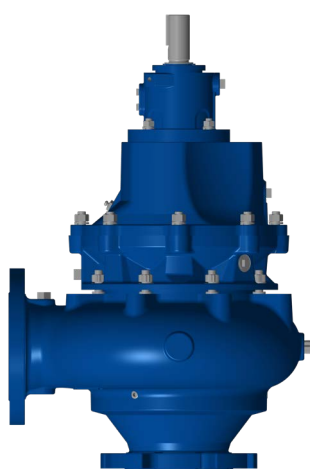
- ① HCI screw-flow impeller
- ② Adjustable, HCI, grooved liner
- ③ Regulator nuts
- ④ Pump-out grooves
- ⑤ Thrust bearings
- ⑥ Radial bearings
- ⑦ Labyrinth bearing seal
- ⑧ Case vent and drain
- ⑨ Flushless tandem mechanical seals
- ⑩ Optional impeller flush port
- ⑪ Oil bath
- ⑫ Packing (mechanical seals optional)
- ⑬ Flush port
- ⑭ Scupper drain

Bearing Frame Features

- 50,000 hour bearing life
- 1045 steel shaft
- Belt drive
- Direct connect
- Greased bearings

Configurations

- Horizontal
- Vertical
- Submersible
- Pre-rotation



Type: W Features

- Tandem mechanical seal
- Oil bath
- Flush-less
- AES seals

Type: S Features

- Packing
- SS 420 shaft sleeve
- Flush required

Type: SM Features

- Customer specified mechanical seal
- Multiple seal options



Trillium Pumps USA SLC

440 West 800 South, Salt Lake City, Utah 84101

T: (801) 359-8731 Fax: (801) 530-7828 wemco@trilliumflow.com www.trilliumflow.com

Copyright © 2020, 2019, 2016, 2015 Trillium Flow Technologies, all rights reserved.

WEMCO is a registered trademark of FLSMIDTH A/S used under license by companies forming part of Trillium Flow Technologies.

WEMCO Screw-Flow Brochure Version 8, February 2020